

ABS SUBMERSIBLE PROPELLER PUMPS VUP

- High operational reliability and long operating life
- Well known modular construction
- High quality materials
- Newly designed hydraulics with high efficiencies
- Avoidance of harmful vortices by anti-vortex-system

Applications

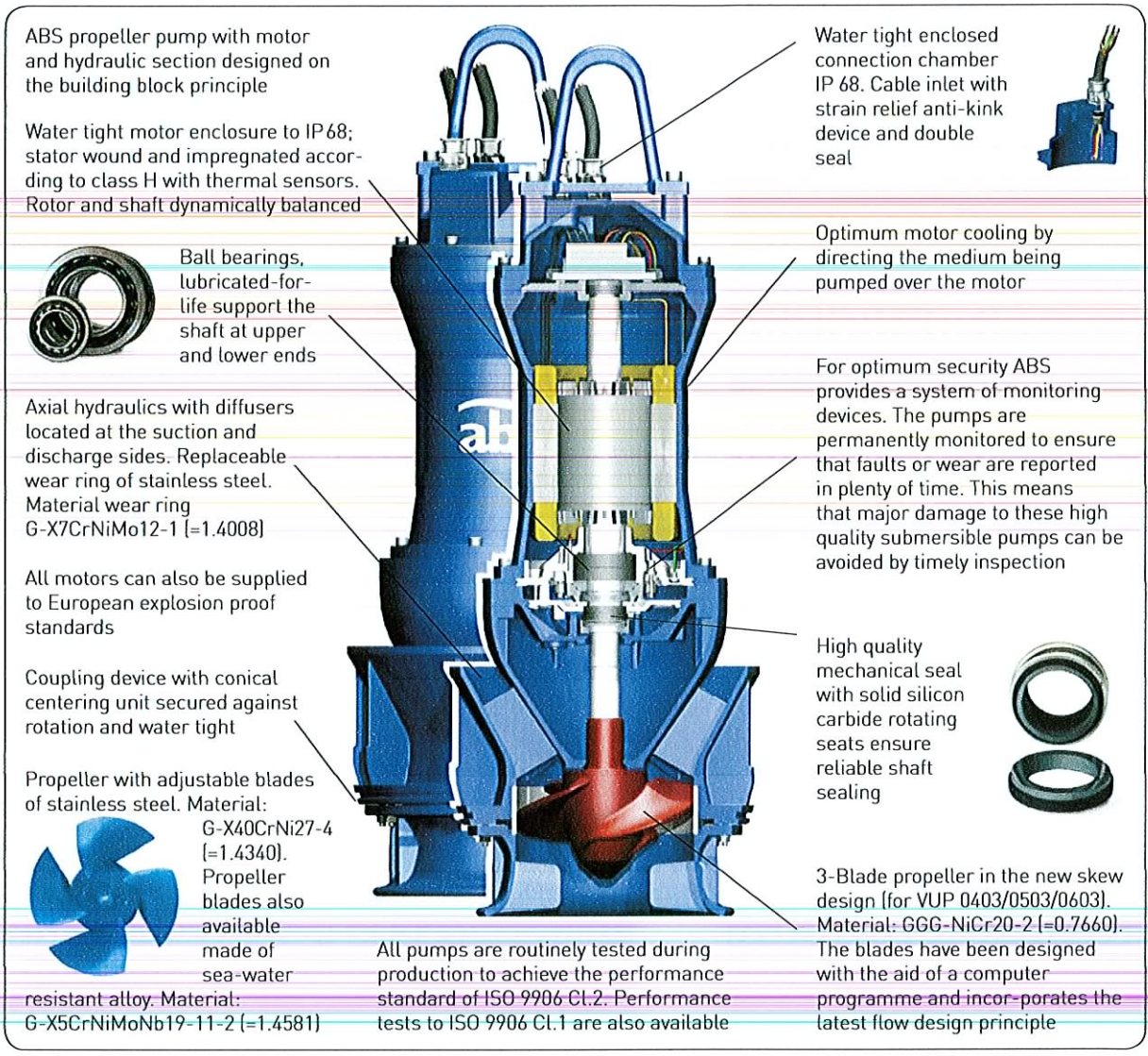
The ABS submersible propeller pumps of the VUP series are ideal for applications where large volumes of waste or process water have to be pumped up to heads of 12 m.

They are compact and can be installed vertically in a space saving manner. They are ideal for storm water protection, for irrigation and dewatering, for cooling and process water and for a multitude of other applications.

Technology

By the use of an economical building block principle, we are able to select the best combination of hydraulic and motor with reference to output, speed, voltage and frequency in order to suit the particular application.

The choice of between three and four propeller blades, and a motor range from 4.5 to 650 kW enable us to make a choice which fulfils both economical and technical criteria.



Installation

Suitable for installation in steel or concrete riser pipes for economical and simple operation of the units. The centering of the pump and sealing between pump and pipe line is carried out automatically by means of a conical coupling ring. No additional installation work required.

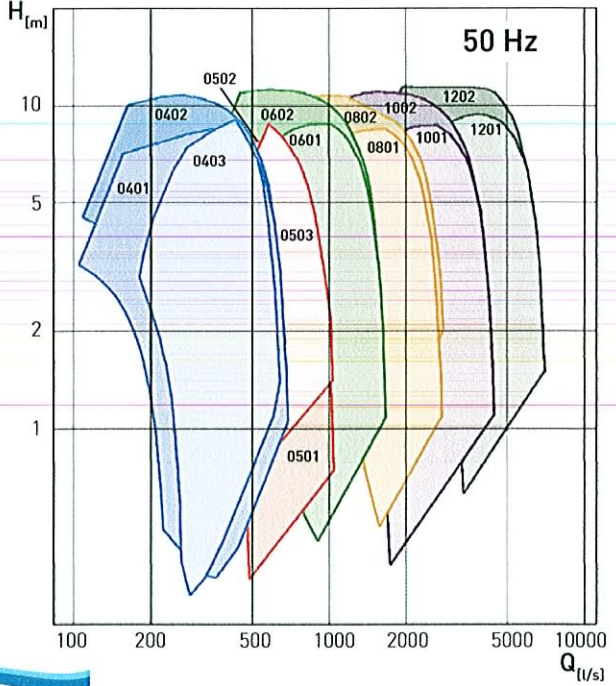
Maintenance

If maintenance is required you simply lift up the pump as a unit, without any need for disassembly, out of the flooded or dry pump sump. You can then carry out the maintenance work where ever is most convenient.

Technical Specifications

Nominal pipe diameter:	600 - 1400 mm
Power range:	4.5 - 650 kW
Pole number:	4 - 12

Performance Curves



210092 GB 04.05 ABS reserves the right to alter specifications due to technical developments.

No: M-10.2108 - 02
 Dat/Nam.: 27.03.2012 / e.Dehnke
 Cad Code: M_102108
 Technical changes reserved
 Änderungen vorbehalten
 ABS se réserve le droit de changer
 les caractéristiques techniques

VUPX 0600

Dimension sheet PE4

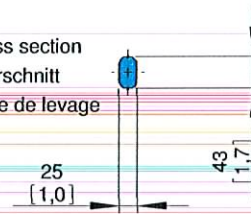
Maßblatt PE4

Plan d'encombrement PE



Type Typ Type	Weight Gewicht Poids		H	
	(~kg)	(~lb)	(mm)	(inch)
50Hz				
PE 150/8	705	1555	1906	75.0
PE 185/8	745	1643		
PE 220/8	765	1687	1986	78.2
PE 300/8	775	1709		

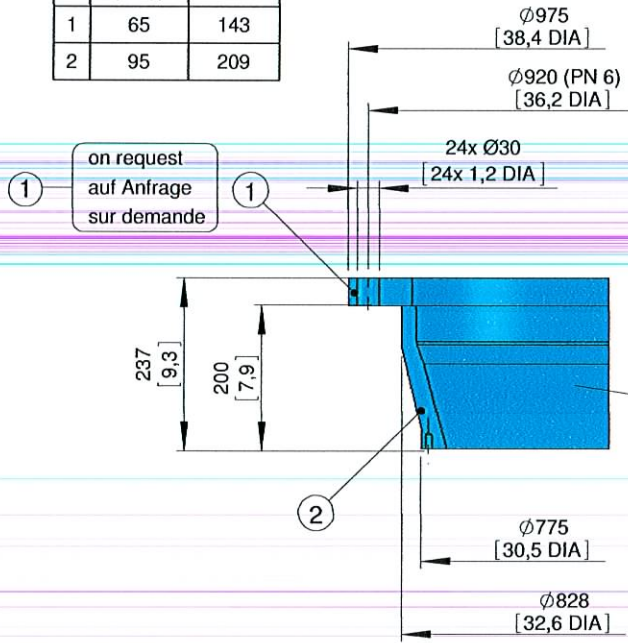
Lifting hoop cross section
 Fangbügel-Querschnitt
 Section de l'anse de levage



Weight: Includes pump and 10m cable
 Gewicht : Beinhaltet Pumpe und 10m Kabel
 Poids: Pompe et 10m de câble

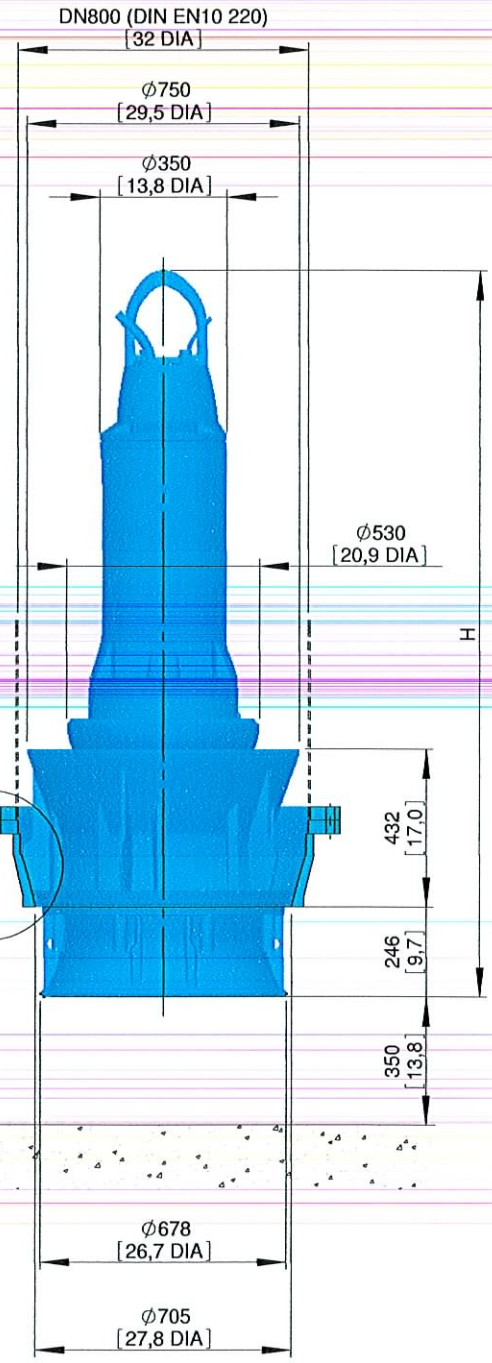
For different cable length see IOM chapter 1.5
 Für abweichende Kabellänge siehe EBA, Kapitel 1.5
 Pour des longueurs supérieures, voir la section 1.5 du manuel

	Weight Gewicht Poids (~kg)	Weight Gewicht Poids (~lb)
1	65	143
2	95	209



on request
 auf Anfrage
 sur demande

Dim. flange valve
 Maße Flanschverbindung
 Dimensions de la bride



[mm]
 [inch]

